

MATERIAL: FIBERGLASS

# SECTION

## END VIEW OF THERMASCREEN



**VIREO**  
LEGACY TECHNOLOGY GROUP

DRAWING NO: T-01

SCALE

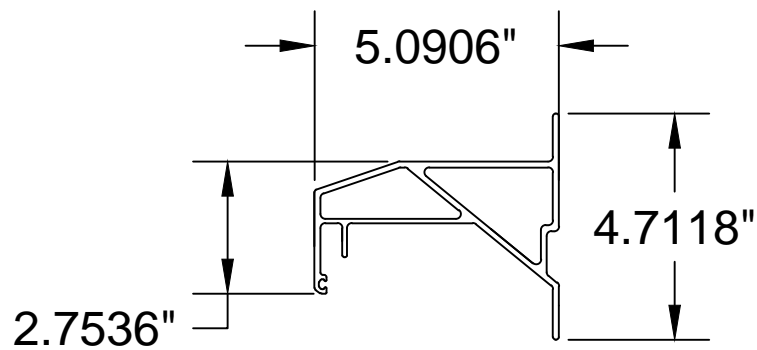
1:4

DATE

SEP 24,13

NOTE: The design of this drawing (THERMASCREEN) is property of VIREO CORP.

PATENT PENDING



MATERIAL: FIBERGLASS

SECTION

END VIEW OF TRANSITION PROFILE



**VIREO**  
LEGACY TECHNOLOGY GROUP

DRAWING NO: DWSC-01

SCALE

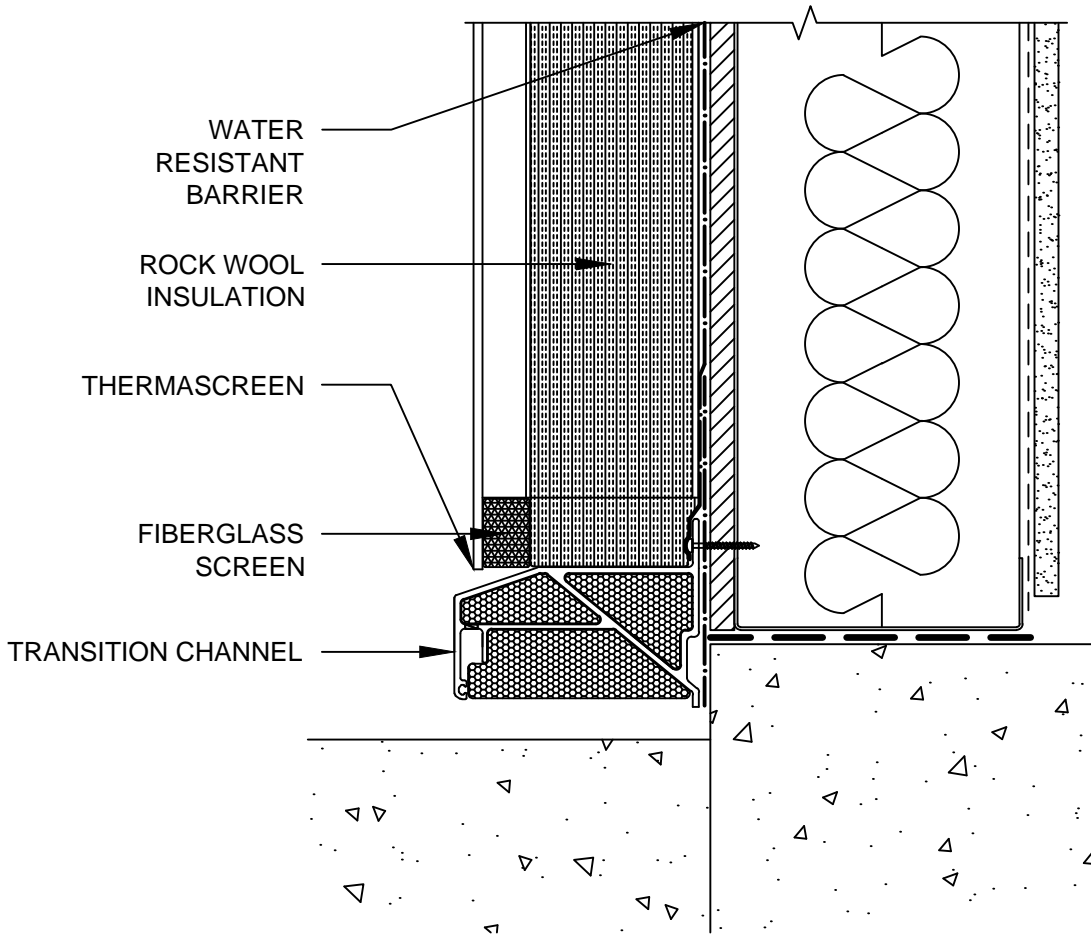
1:4

DATE

SEP 24,13

NOTE: The design of this drawing (THERMASCREEEN) is property of VIREO CORP.

PATENT PENDING



# SECTION

## END VIEW OF THERMASCREEN VERTICAL INSTALL STARTER



**VIREO**  
LEGACY TECHNOLOGY GROUP

DRAWING NO: TVS-01

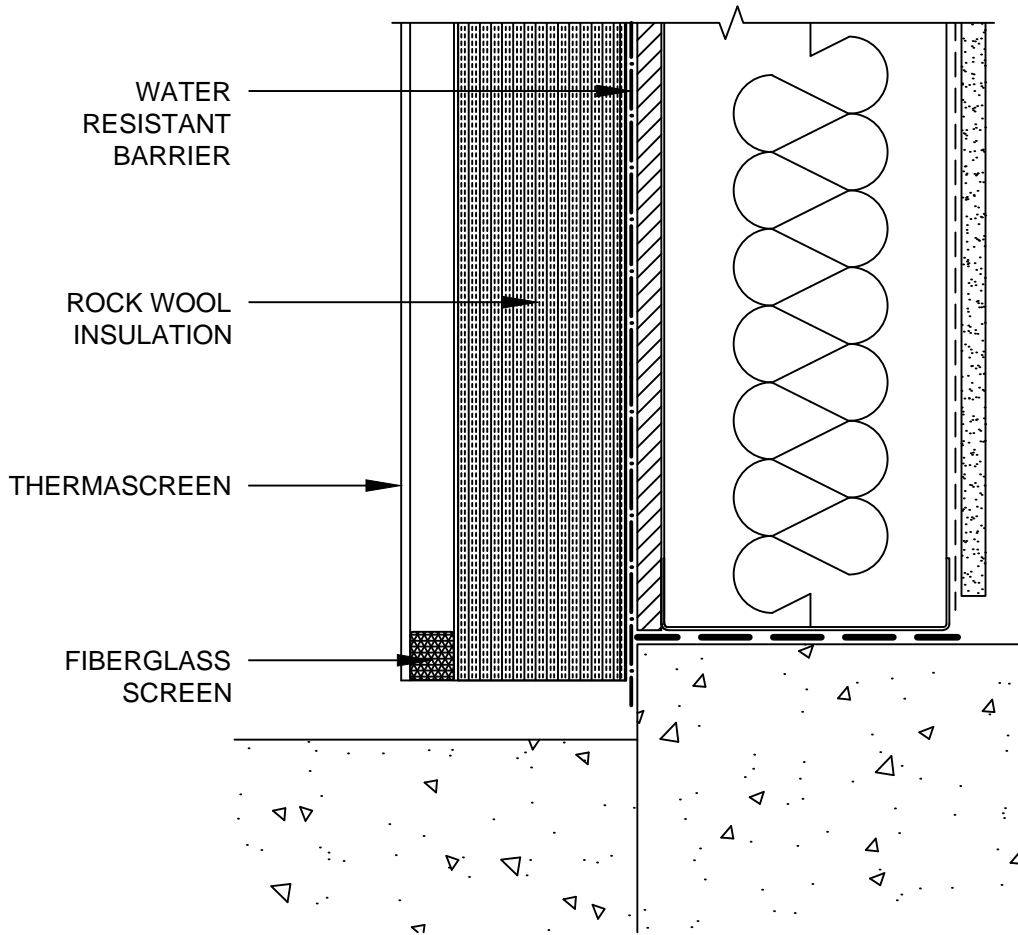
SCALE

1:4

DATE

SEP 24,13

NOTE: This detail is intended for general purposes only.  
Please contact one of VIREO's representative for your specific project.



# SECTION

## END VIEW OF THERMASCREEN VERTICAL INSTALL STARTER



**VIREO**  
LEGACY TECHNOLOGY GROUP

DRAWING NO: TVS-02

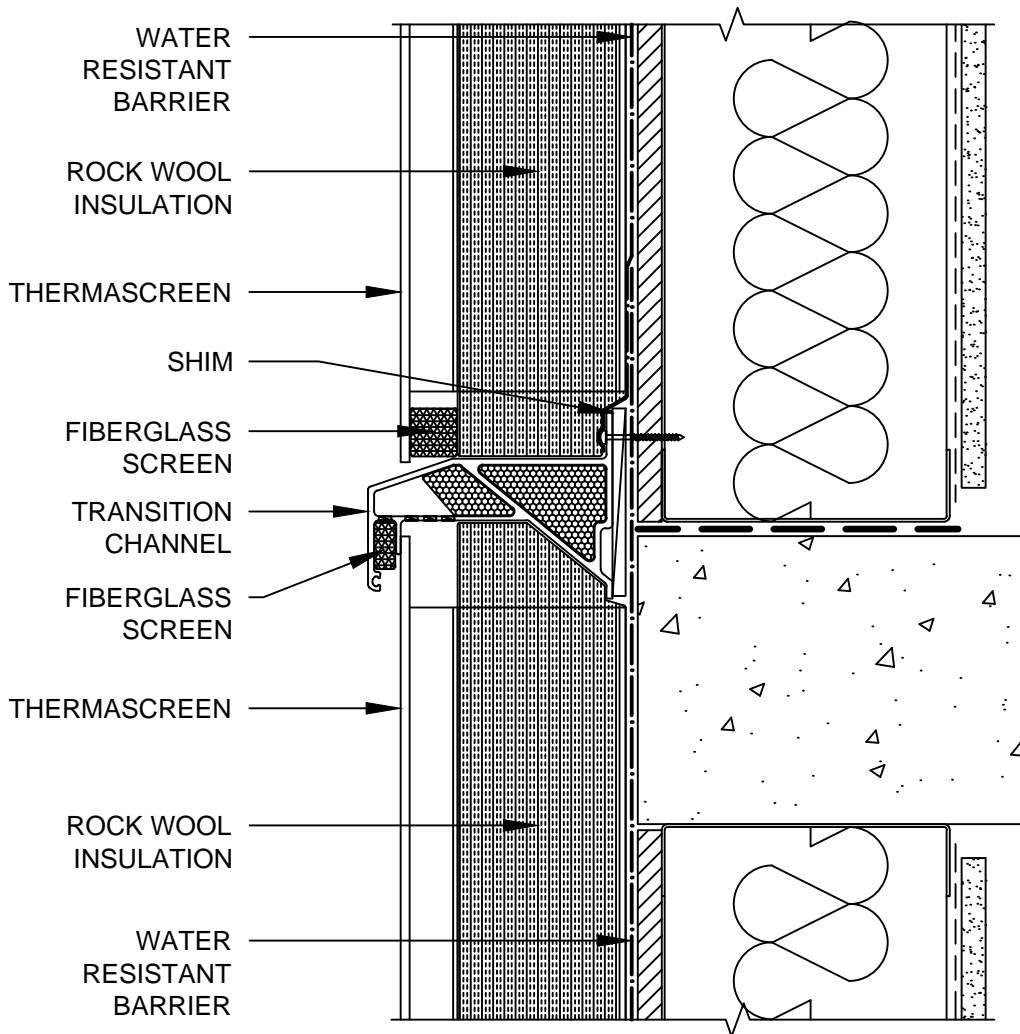
SCALE

1:4

DATE

SEP 24,13

NOTE: This detail is intended for general purposes only.  
Please contact one of VIREO's representative for your specific project.



# SECTION

## END VIEW OF THERMASCREEN VERTICAL INSTALL EXPANSION JOINT



**VIREO**  
LEGACY TECHNOLOGY GROUP

DRAWING NO: TVE-01

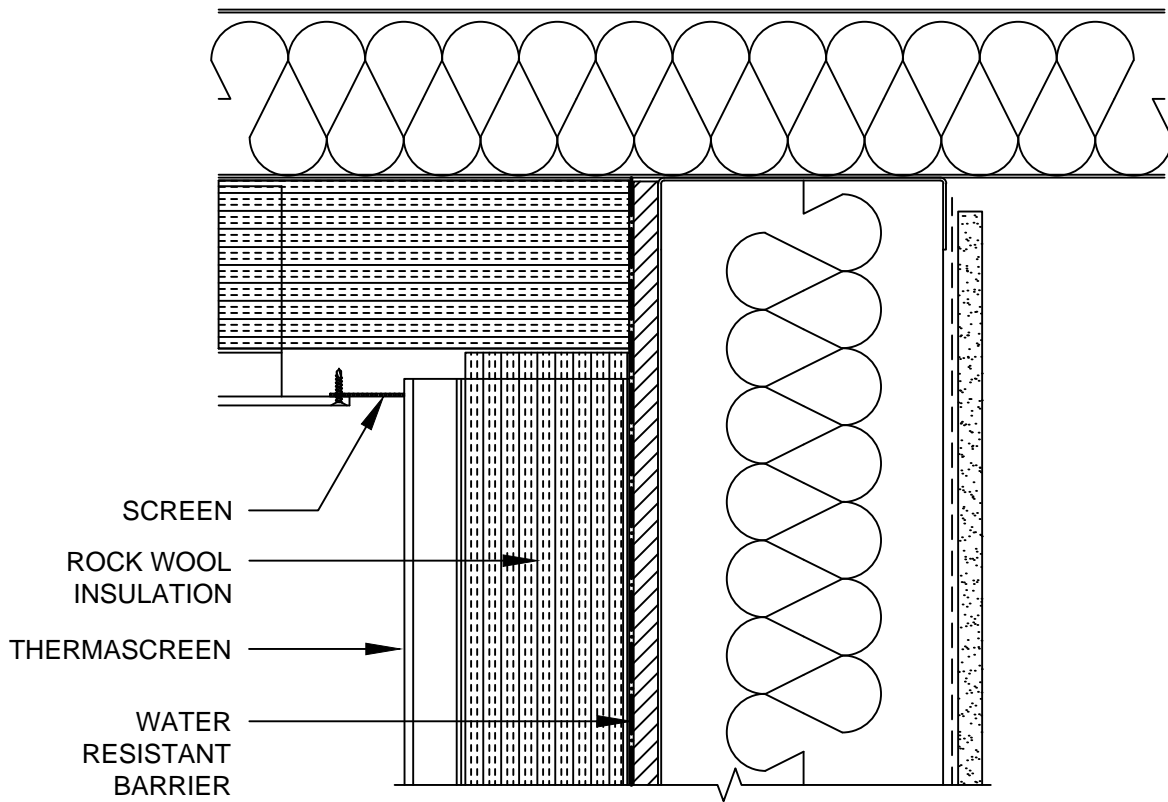
SCALE

1:4

DATE

SEP 24, 13

**NOTE:** This detail is intended for general purposes only. Please contact one of VIREO's representative for your specific project.



## SECTION

END VIEW OF THERMASCREEN VERTICAL INSTALL TO SOFFIT



**VIREO**  
LEGACY TECHNOLOGY GROUP

DRAWING NO: TVS-01

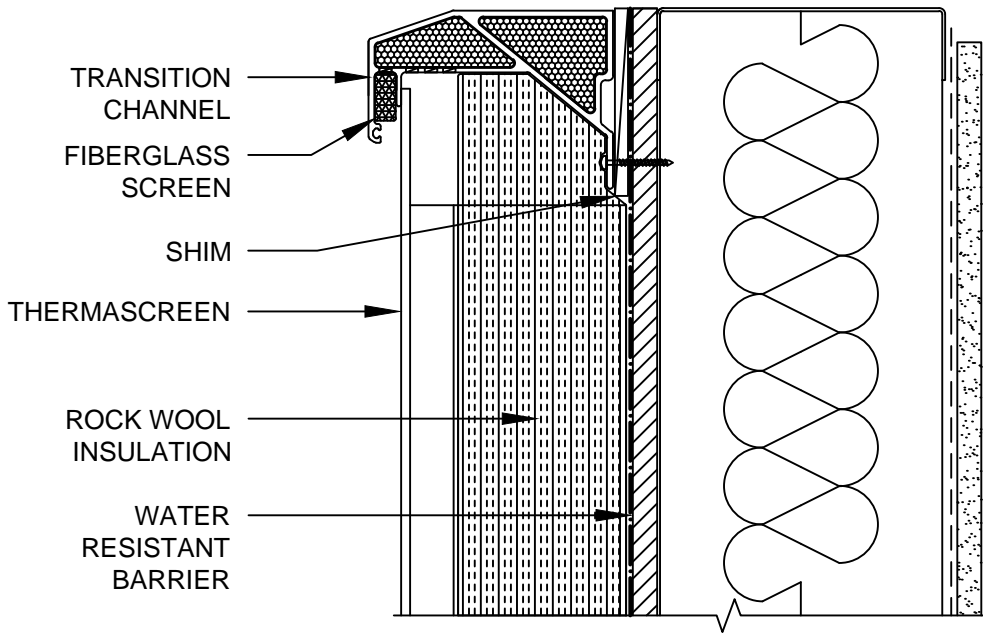
SCALE

1:4

DATE

SEP 24,13

NOTE: This detail is intended for general purposes only.  
Please contact one of VIREO's representative for your specific project.



TRANSITION CHANNEL  
 FIBERGLASS SCREEN  
 SHIM  
 THERMASCREEN  
 ROCK WOOL INSULATION  
 WATER RESISTANT BARRIER

# SECTION

END VIEW OF THERMASCREEN VERTICAL INSTALL FINISH CAP



**VIREO**  
 LEGACY TECHNOLOGY GROUP

DRAWING NO: TVFC-01

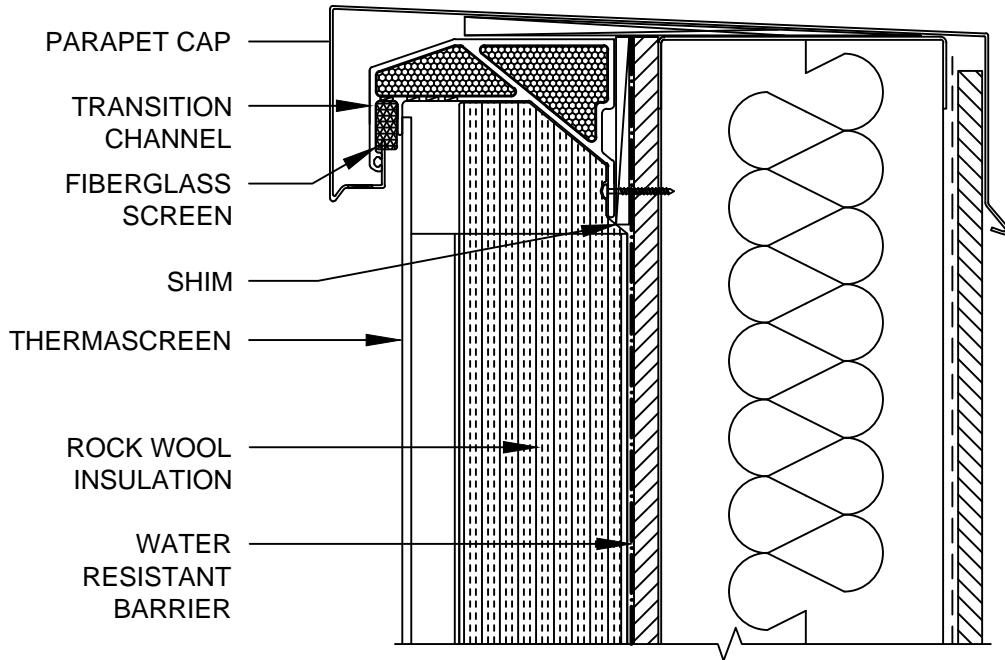
SCALE

1:4

DATE

SEP 24,13

NOTE: This detail is intended for general purposes only.  
 Please contact one of VIREO's representative for your specific project.



# SECTION

END VIEW OF THERMASCREEN VERTICAL INSTALL WITH PARAPET WALL CAP



**VIREO**  
LEGACY TECHNOLOGY GROUP

DRAWINGS NO: TVPWC-01

SCALE

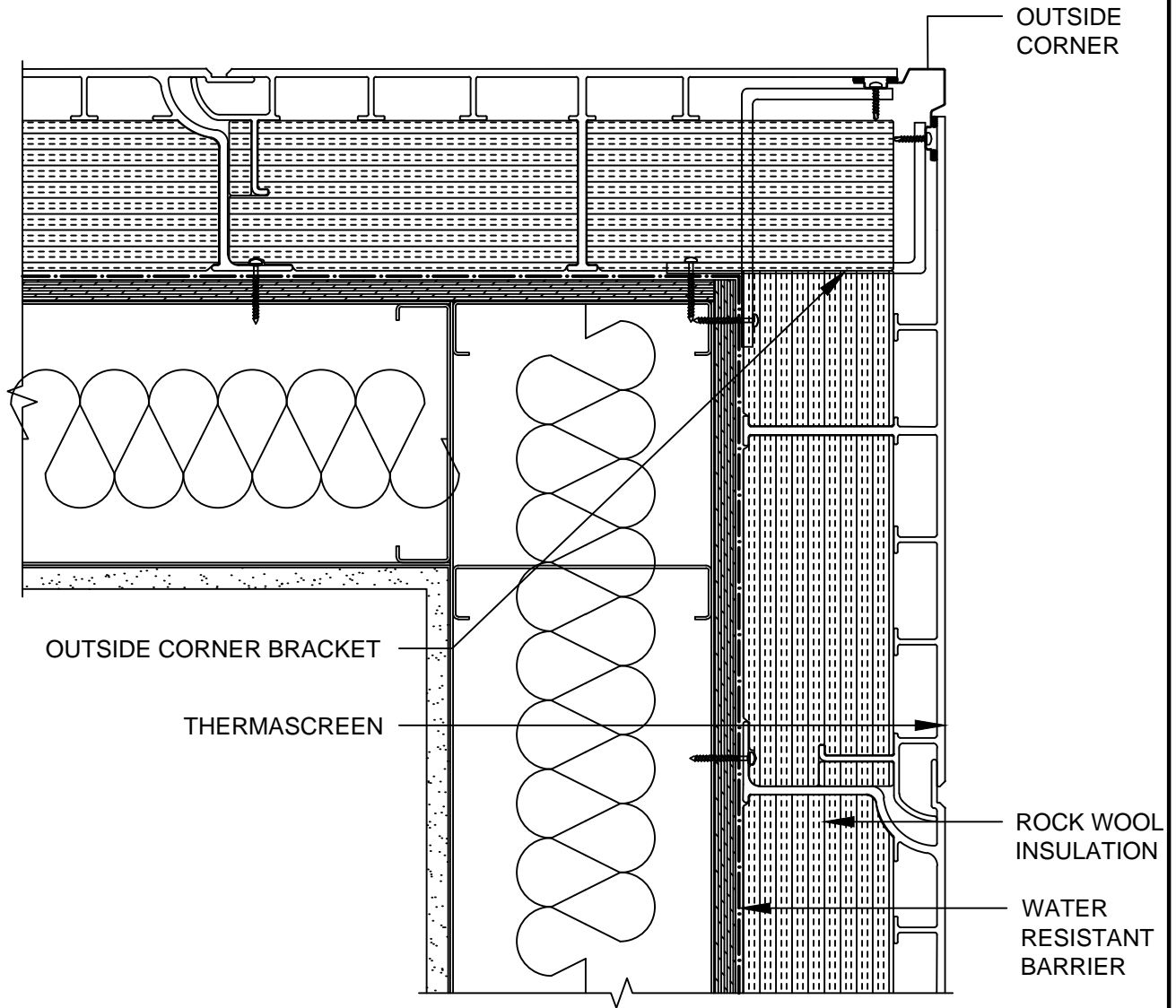
1:4

DATE

SEP 24,13

NOTE: This detail is intended for general purposes only.  
Please contact one of VIREO's representative for your specific project.





# SECTION

TOP VIEW OF THERMASCREEN VERTICAL INSTALL OUTSIDE CORNER



**VIREO**  
LEGACY TECHNOLOGY GROUP

DRAWING NO: TVOC-01

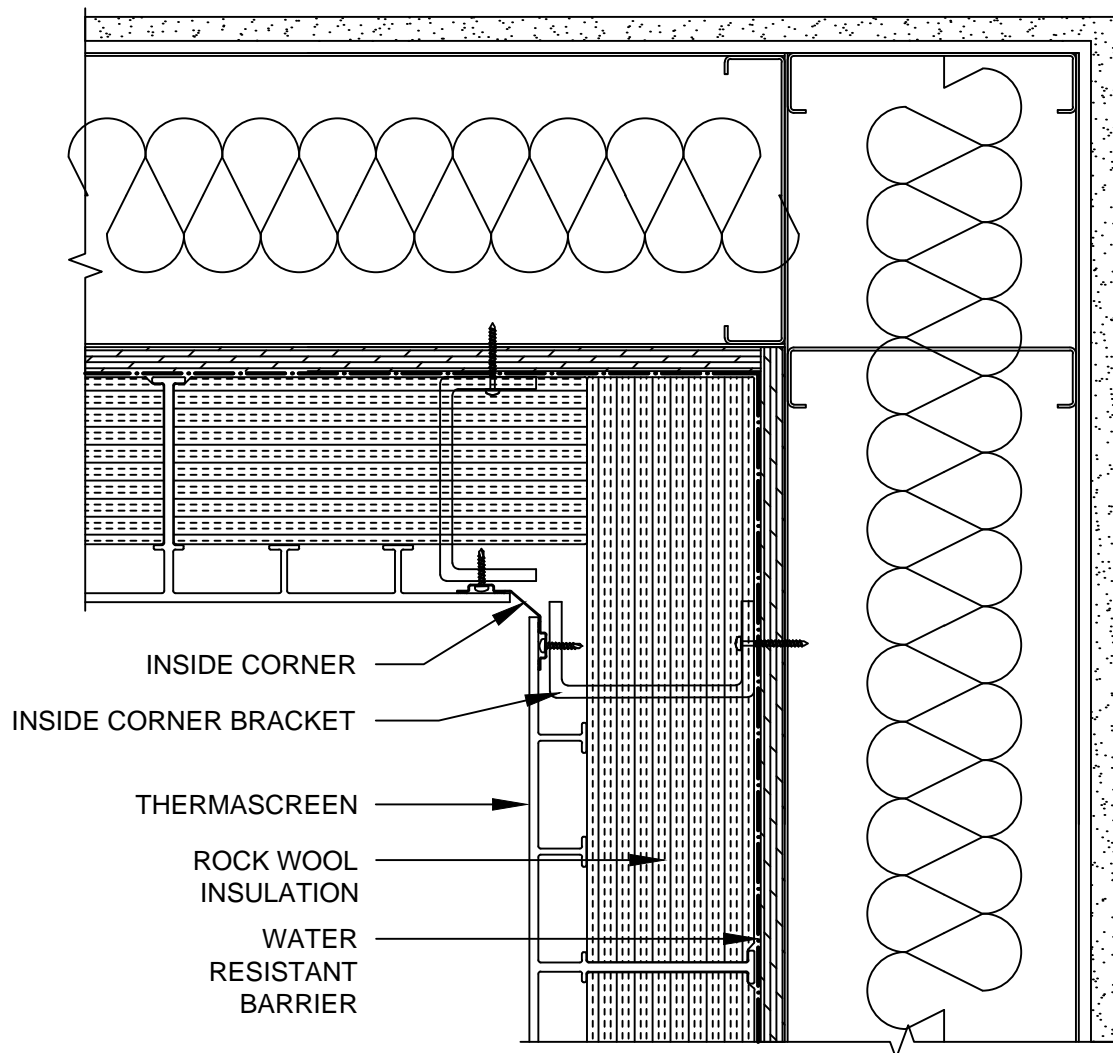
SCALE

1:4

DATE

SEP 24,13

**NOTE:** This detail is intended for general purposes only. Please contact one of VIREO's representative for your specific project.



# SECTION

TOP VIEW OF THERMASCREEN VERTICAL INSTALL INSIDE CORNER



**VIREO**  
LEGACY TECHNOLOGY GROUP

DRAWING NO: TVIC-01

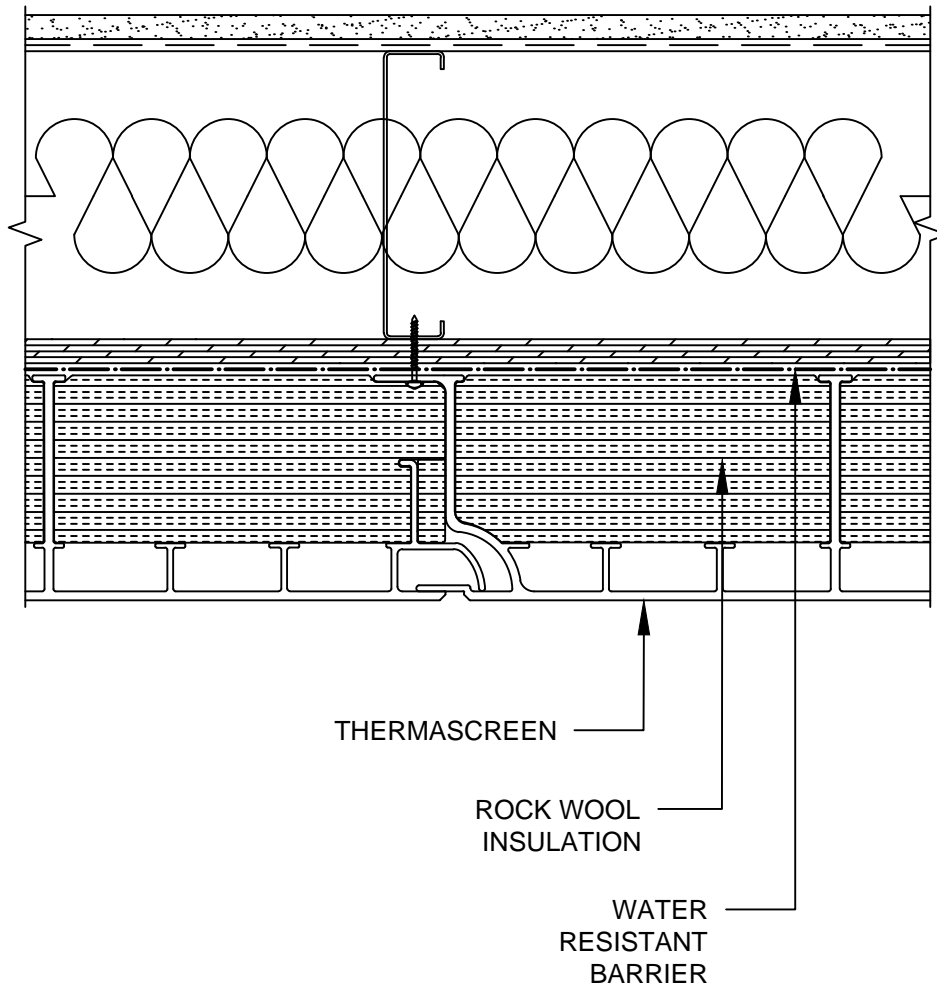
SCALE

1:4

DATE

SEP 24,13

NOTE: This detail is intended for general purposes only.  
Please contact one of VIREO's representative for your specific project.



# SECTION

## TOP VIEW OF THERMASCREEN VERTICAL INSTALL COUPLING



**VIREO**  
LEGACY TECHNOLOGY GROUP

DRAWING NO: TVC-01

SCALE

1:4

DATE

SEP 24,13

NOTE: This detail is intended for general purposes only.  
Please contact one of VIREO's representative for your specific project.