

SECTION

END VIEW OF THERMASCREEN



VIREO
LEGACY TECHNOLOGY GROUP

DRAWING NO: T-01

SCALE

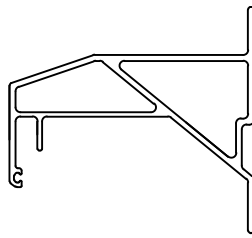
1:4

DATE

SEP 24,13

NOTE: The design of this drawing (THERMASCREEN) is property of VIREO CORP.

PATENT PENDING



SECTION

END VIEW OF DWSC PROFILE



VIREO
LEGACY TECHNOLOGY GROUP

DRAWING NO: DWSC-01

SCALE

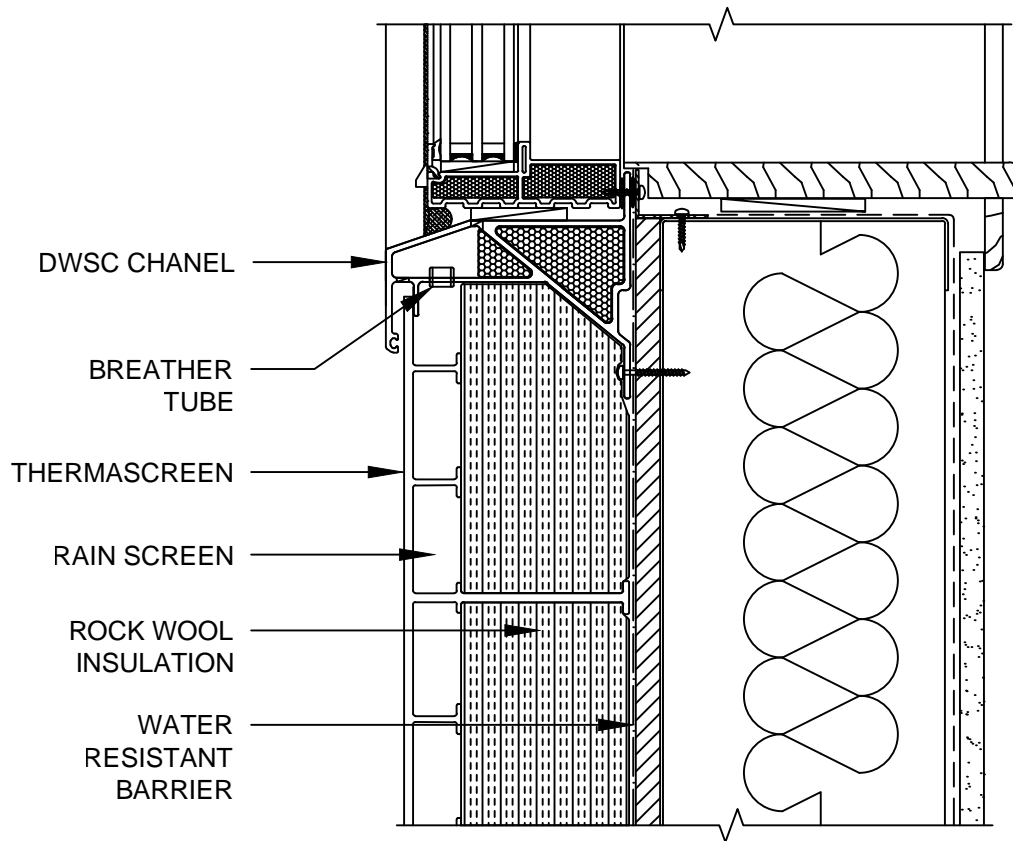
1:4

DATE

SEP 24, 13

NOTE: The design of this drawing (THERMASCREEEN) is property of VIREO CORP.

PATENT PENDING



SECTION

END VIEW OF THERMASCREEN HORIZONTAL INSTALL WINDOW SILL



VIREO
LEGACY TECHNOLOGY GROUP

DRAWING NO: THWS-01

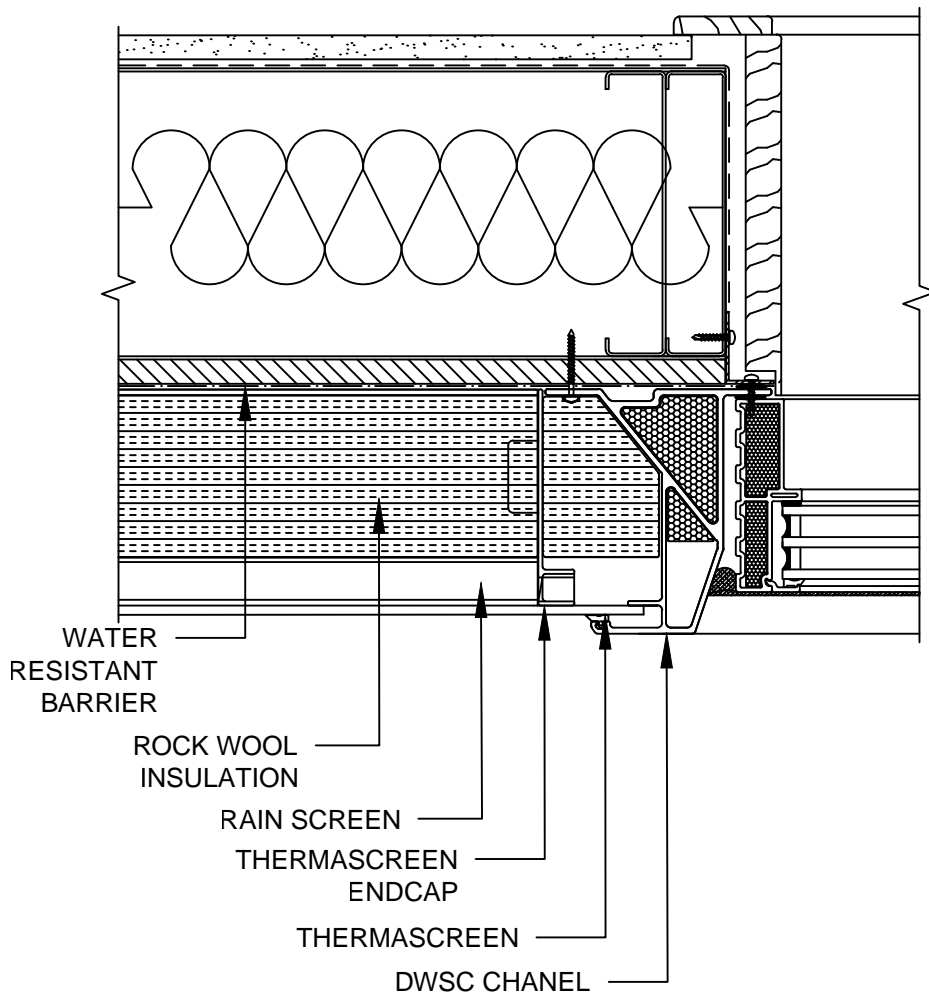
SCALE

1:4

DATE

SEP 24,13

NOTE: This detail is intended for general purposes only.
Please contact one of VIREO's representative for your specific project.



SECTION

TOP VIEW OF THERMASCREEN HORIZONTAL INSTALL WINDOW JAMB



VIREO
 LEGACY TECHNOLOGY GROUP

DRAWING NO: THWJ-01

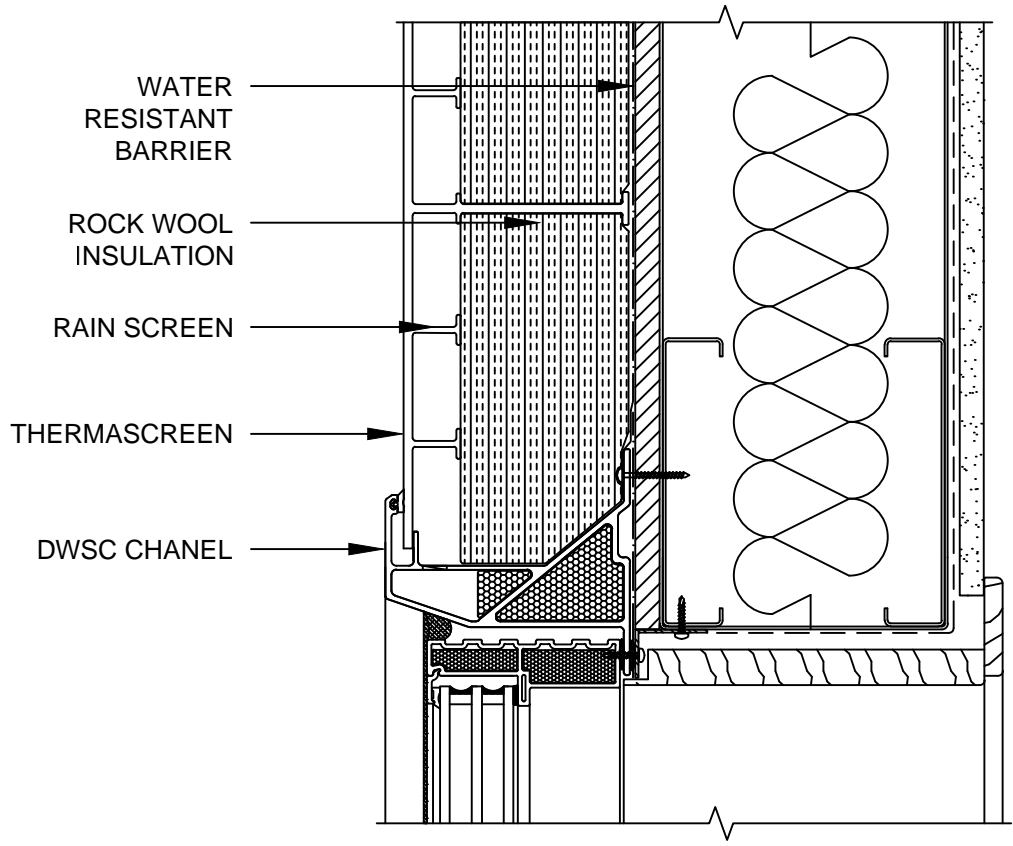
SCALE

1:4

DATE

SEP 24,13

NOTE: This detail is intended for general purposes only.
 Please contact one of VIREO's representative for your
 specific project.



SECTION

END VIEW OF THERMASCREEN HORIZONTAL INSTALL WINDOW HEAD



VIREO
LEGACY TECHNOLOGY GROUP

DRAWING NO: THWH-01

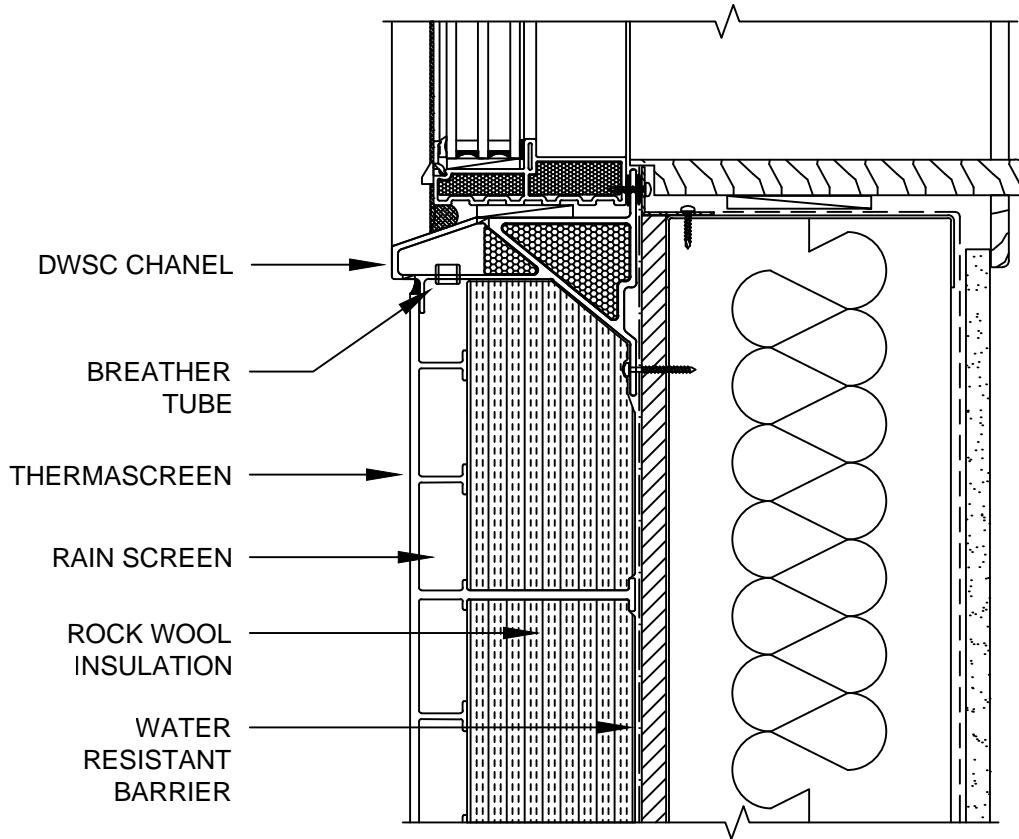
SCALE

1:4

DATE

SEP 24,13

NOTE: This detail is intended for general purposes only. Please contact one of VIREO's representative for your specific project.



SECTION

END VIEW OF THERMASCREEN HORIZONTAL INSTALL WINDOW SILL



VIREO
 LEGACY TECHNOLOGY GROUP

DRAWING NO: THWS-02

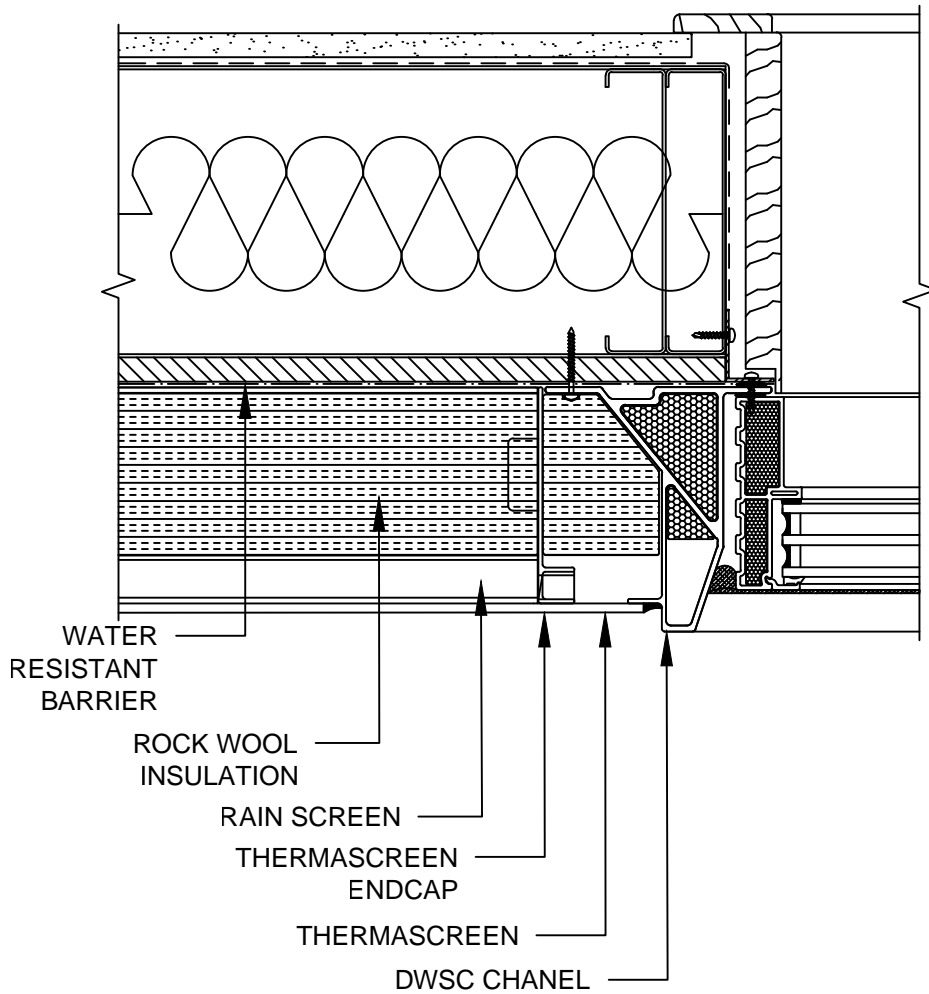
SCALE

1:4

DATE

SEP 24,13

NOTE: This detail is intended for general purposes only.
 Please contact one of VIREO's representative for your
 specific project.



SECTION

TOP VIEW OF THERMASCREEN HORIZONTAL INSTALL WINDOW JAMB



VIREO
LEGACY TECHNOLOGY GROUP

DRAWING NO: THWJ-02

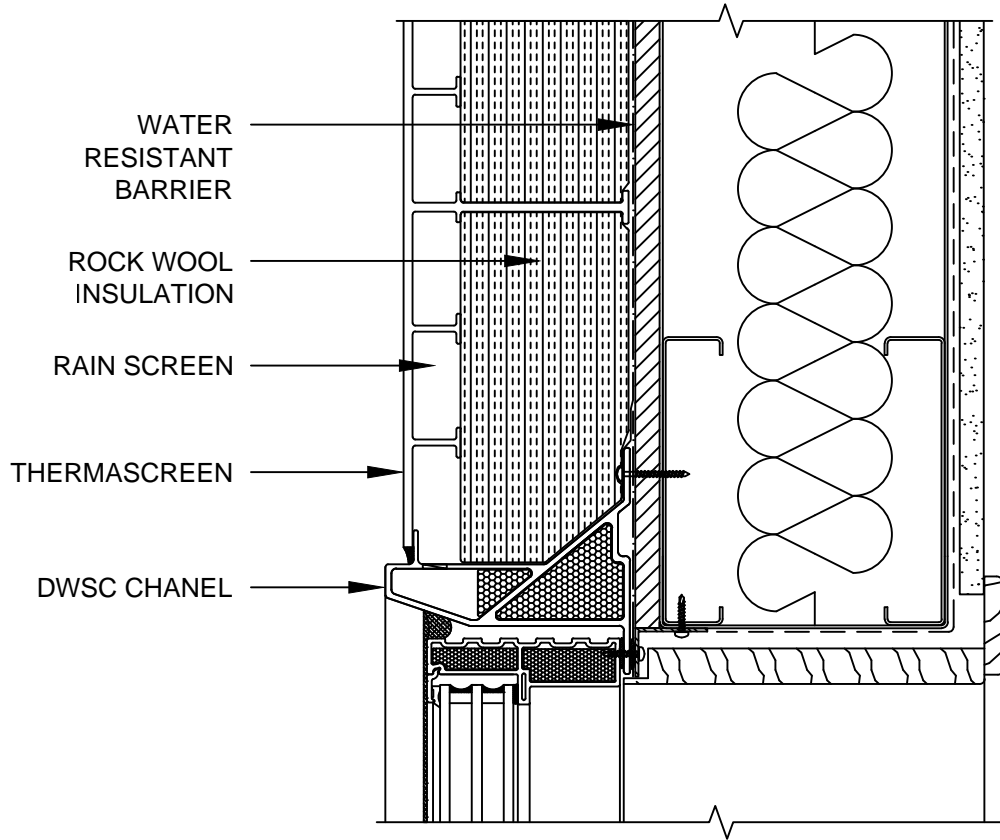
SCALE

1:4

DATE

SEP 24,13

NOTE: This detail is intended for general purposes only. Please contact one of VIREO's representative for your specific project.



SECTION

END VIEW OF THERMASCREEN HORIZONTAL INSTALL WINDOW HEAD



VIREO
LEGACY TECHNOLOGY GROUP

DRAWING NO: THWH-02

SCALE

1:4

DATE

SEP 24,13

NOTE: This detail is intended for general purposes only.
Please contact one of VIREO's representative for your specific project.